

tesa® 6084 Spool Dispenser

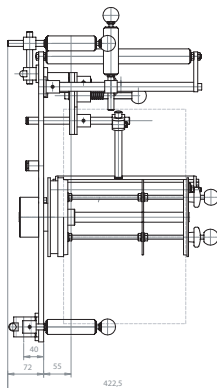
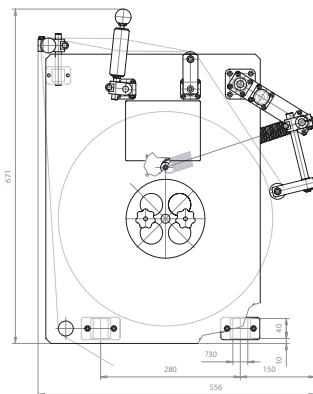
PRODUCT INFORMATION

Laminate double sided tape continuously to your trims and profiles at moderate and uniform speed

- Unwind tape from spools in a controlled way. Guide the tape precisely and without damage to the lamination unit
- Easy operation and little set-up time translate into efficient processes
- The reliable taping process has been proven at many customers worldwide. Commonly used by plastic extruders.

Integrate the spool dispenser into your production line easily

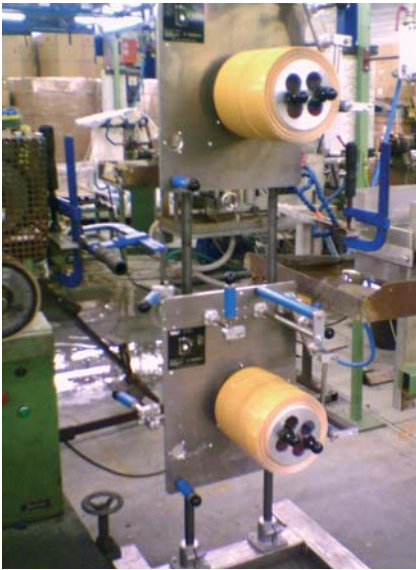
- Easy mounting and retro-fitting to existing production lines
- Modify to left or right hand production direction
- Tape unwinding is done mechanically by the propulsion of the profile
- Delivered ready-to-run without any electrical components
- tesa offers engineering support upon request



tesa® 6084 – technical information

Dimension	600 x 450 x 700 mm
Weight	10 kg
Suitable tapes	All kinds of tesa® tapes on 6" core
Tape tension	Dispenser creates a max. traction force of 2 N
Main components	Spool dispenser, pressure roller, tape guiding, 2 mounting flanges at 30 mm diameter
Available on request	Lamination unit, additional guiding rollers, rack on rollers

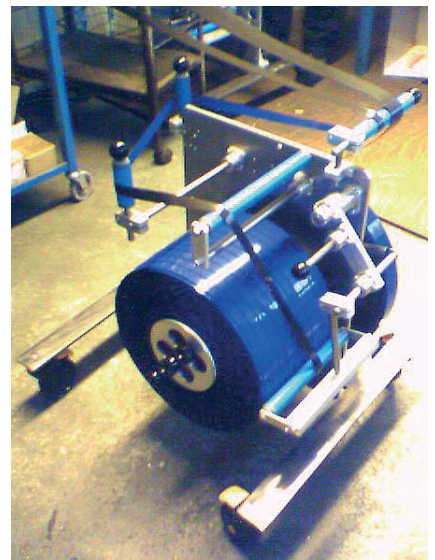
Typical installation examples:



Extruded PVC sealing trims for roller blinds
Apply two stripes of tape at the same time with two dispensers on a rack



Customized tape guiding



Extruded PVC window bars
Dispenser for both spools and pancake rolls

Manufacturer and spare parts:



Nauber Feinmechanik
Thomas-Mann-Str. 29
D-22175 Hamburg
Phone: +49-40-640 14 16
Fax: +49-40-640 76 92
web: www.Nauber-Feinmechanik.de

tesa® products prove their impressive quality day in, day out in demanding conditions and are regularly subjected to strict controls. All information and recommendations are provided to the best of our knowledge on the basis of our practical experience. Nevertheless tesa AG can make no warranties, express or implied, including, but not limited to any implied warranty of merchantability or fitness for a particular purpose. Therefore, the user is responsible for determining whether the tesa® product is fit for a particular purpose and suitable for the user's method of application. If you are in any doubt, our technical support staff will be glad to advise you. tesa maintains the right to amend the products for technical reasons without prior notice as long as the agreed specifications of the product are still fulfilled. In case of legal problems, tesa is entitled to stop deliveries of the products without delay and without compensation to the customer. In this case tesa will contact customer without delay to find a solution for the delivery of alternative products.

CENTRAL EUROPE

tesa AG

Quickbornstraße 24
D - 20253 Hamburg, Germany
Phone: +49 40 4909 3181
www.tesa.de

NORTH EUROPE

tesa A/S

Klinthøj Vænge 12
DK - 3460 Birkerød, Denmark
Phone: +45 45 998 200
www.tesa.dk

SOUTH WEST EUROPE

tesa tape S.A.

Ctra. de Mataró a Granollers, P. Km. 5,4
E - 08310 Argentona (Barcelona)
Phone: +34 93 758 33 00
www.tesatape.es

EAST EUROPE

tesa tape Eastern Europe

Szabadság út 117
H-2040 Budaörs
Phone +36 23 814 111
Fax +36 23 814 101
www.tesa.hu

NORTH AMERICA

tesa tape North America

5825 Carnegie Boulevard
Charlotte, NC 28209, U.S.A.
Phone: +1 704 554 07 07
(Toll-free: +1 800 426 21 81)
www.tesatape.com

ASIA

tesa tape Asia Pacific Pte.Ltd.

164 Gul Circle
Singapore 629621
Phone: +65 6861 2026
www.tesa-asia.com