

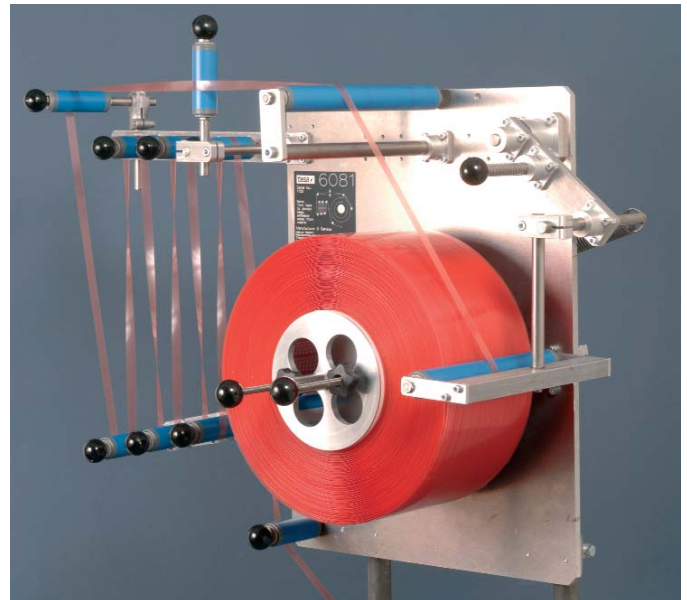
tesa® 6081

Spool Dispenser with brake & buffer system

PRODUCT INFORMATION

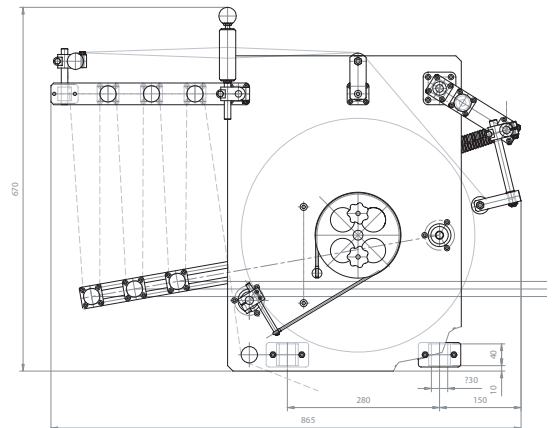
Laminate trims and profiles continuously with double sided tape at high speed or stop & go processes

- Unwind tape from spools in a controlled way. Guide the tape precisely and without damage to the lamination unit
- The brake and buffer system allows a high lamination speed and compensates for variations in line speed due to e.g. cutting processes
- Easy operation and little set-up time translates into efficient processes
- The reliable taping process has been proven at many customers worldwide. Commonly used by producers of aluminium profiles, MDF trims, magnetic strips.



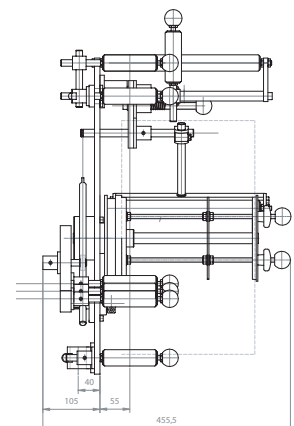
Integrate the spool dispenser into your production line easily

- Easy mounting and retro-fitting to existing production lines
- Modify to left or right hand production direction
- Tape unwinding is done mechanically by the propulsion of the profile
- Delivered ready-to-run without any electrical components
- Ask for our tesa engineering support



tesa® 6081 – technical information

Dimension	900 x 450 x 700 mm
Weight	22 kg
Suitable tapes	All kinds of tesa® tapes on 6" core
Tape tension	Dispenser creates a max. traction force of 8 N
Main components	Spool dispenser, pressure roller, tape guiding, 2 mounting flanges at 30 mm diameter
Available on request	Lamination unit, rack on rollers, additional guiding rollers



Typical installation examples:



Self adhesive paper sheets



MDF furniture trims

Apply two stripes of tape simultaneously



Aluminium tubes

Laminate tape during the cutting process



**Customized
tape guiding**



Aluminium profiles

Laminate tape offline after the cutting to length

Manufacturer and spare parts:



Nauber Feinmechanik
 Thomas-Mann-Str. 29
 D-22175 Hamburg
 Phone: +49-40-640 14 16
 Fax: +49-40-640 76 92
 web: www.Nauber-Feinmechanik.de

tesa® products prove their impressive quality day in, day out in demanding conditions and are regularly subjected to strict controls. All information and recommendations are provided to the best of our knowledge on the basis of our practical experience. Nevertheless tesa AG can make no warranties, express or implied, including, but not limited to any implied warranty of merchantability or fitness for a particular purpose. Therefore, the user is responsible for determining whether the tesa® product is fit for a particular purpose and suitable for the user's method of application. If you are in any doubt, our technical support staff will be glad to advise you. tesa maintains the right to amend the products for technical reasons without prior notice as long as the agreed specifications of the product are still fulfilled. In case of legal problems, tesa is entitled to stop deliveries of the products without delay and without compensation to the customer. In this case tesa will contact customer without delay to find a solution for the delivery of alternative products.

CENTRAL EUROPE

tesa AG

Quickbornstraße 24
 D - 20253 Hamburg, Germany
 Phone: +49 40 4909 3181
 www.tesa.de

NORTH EUROPE

tesa A/S

Klintehøj Vænge 12
 DK - 3460 Birkerød, Denmark
 Phone: +45 45 998 200
 www.tesa.dk

SOUTH WEST EUROPE

tesa tape S.A.

Ctra. de Mataró a Granollers, P. Km. 5,4
 E - 08310 Argentona (Barcelona)
 Phone: +34 93 758 33 00
 www.tesatape.es

EAST EUROPE

tesa tape Eastern Europe

Szabadság út 117
 H-2040 Budaörs
 Phone +36 23 814 111
 Fax +36 23 814 101
 www.tesa.hu

NORTH AMERICA

tesa tape North America

5825 Carnegie Boulevard
 Charlotte, NC 28209, U.S.A.
 Phone: +1 704 554 07 07
 (Toll-free: +1 800 426 21 81)
 www.tesatape.com

ASIA

tesa tape Asia Pacific Pte.Ltd.

164 Gul Circle
 Singapore 629621
 Phone: +65 6861 2026
 www.tesa-asia.com

